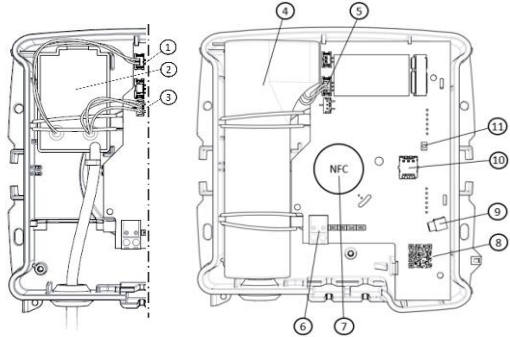


# Elvaco Edge Play wM-Bus Gateway (EN)



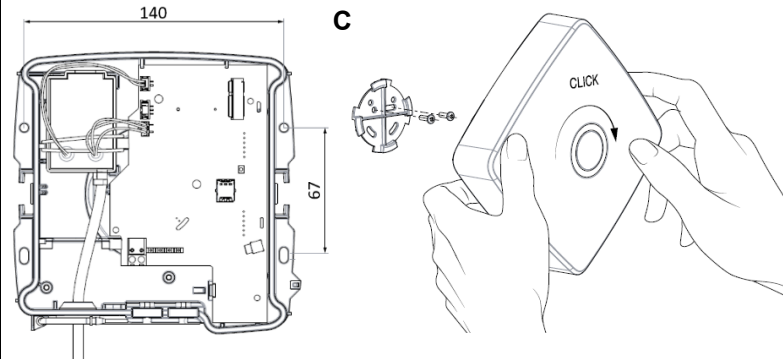
1. PSU cable connector 1
2. CMip2110
3. PSU cable connector 2
4. Battery
5. Battery cable connector
6. M-Bus master terminal
7. NFC antenna
8. Serial number
9. LTE antenna (MCX)
10. SIM card
11. Push button

## Installation

Elvaco Edge can be wall mounted using a bayonet mount attached directly to the wall or a combination (C). Connect the power source cables (2 or 4) to the connector(s) (1,3 or 5). For external cable wiring, press the cables through the foam to correct diameter. Make sure the foam is sealed after wiring is done out of enclosure (B). Note that it can take up to a day before the material has returned to its natural shape. Cut the knock-outs on lid for better cable fit.

## Requirements for mains powered gateway

Installation of Elvaco Edge gateway with PSU should be performed by a qualified electrician or an installer with the required knowledge. The product is delivered with a pre-assembled cable for mains. Connect the blue mains conductor to neutral and the brown to phase. The power supply must be protected with a 10 A circuit breaker of characteristic C or slow blow. The unit must be connected via a clearly marked, easily accessible switch that breaks both phase and neutral so the unit can be switched off during service work. If the product is mounted in an overvoltage category 3 (OVC III) environment, an external overvoltage protection must be installed ahead of the gateway.



## M-Bus

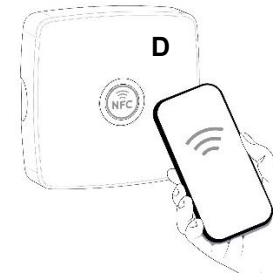
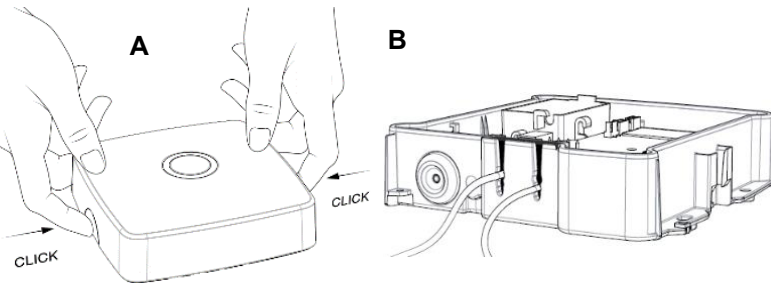
M-Bus is a multi-drop 2-wire bus without polarity. The gateway is equipped with an integrated M-Bus master for 4 meters. Over current on the bus will activate the circled LEDs on the lid (A) and turn off the M-Bus bus. All connected M-Bus slaves must have unique primary or secondary M-Bus addresses depending on addressing mode. Use a cable of area 0.25-1.5mm<sup>2</sup>, e.g. a standard telephone cable (EKKX 2x2x0.5) and connect the wiring to the M-Bus master port (6). Do not exceed the maximum cable length of 50 m.

## Configuration

Turn on device and use Elvaco App for configuration of device to Elvaco Play (D). Scan QR-code to download app.

## Safety

N.B! Make sure to only use Elvaco recommended batteries.



## Specifications /

Protection class	IP55
Mounting	Wall mounted indoor
Battery	38Ah, 3.6V
Nominal voltage	100-240 VAC (+/- 10%)
Frequency	50/60 Hz
Power consumption (max)	3.8 W
Power consumption (nom)	1 W
Installation category	OVC II (CMip2110)
M-Bus master port	Screw terminal (Cable area 0.25 -1.5 mm <sup>2</sup> )
M-Bus capacity	4T (6mA)
Connector for external LTE antenna	MCX-f

Hereby, Elvaco declares that the product is in compliance with the directives below. The complete Declaration of Conformity can be found at [www.elvaco.se/en](http://www.elvaco.se/en) > Search on product

### FÖRENKLAD FÖRSÄKRAN OM ÖVERENSSTÄMMELSE

Härmed försäkras Elvaco att denna produkt överensstämmer med följande direktiv.

### VEREINFACHTE KONFORMITÄTSERKLÄRUNG

Hiermit erklärt Elvaco, dass das Produkt mit den folgenden Richtlinien übereinstimmt.

### DÉCLARATION DE CONFORMITÉ SIMPLIFIÉE

Elvaco déclare par la présente que le produit est conforme aux exigences fondamentales et autres clauses pertinentes des directives suivantes.

### DECLARACIÓN DE CONFORMIDAD SIMPLIFICADA

Elvaco declara que el producto cumple con las siguientes directivas.

EU / UE:

- 2014/53/EU (RED)
- 2014/30/EU (EMC)
- 2014/35/EU (LVD)
- 2011/65/EU + 2015/863 (RoHS)

UK / GB:

- 2017 No. 1206 (RED)
- 2016 No. 1091 (EMC)
- 2016 No. 1101 (LVD)
- 2012 No. 3032 (RoHS)

