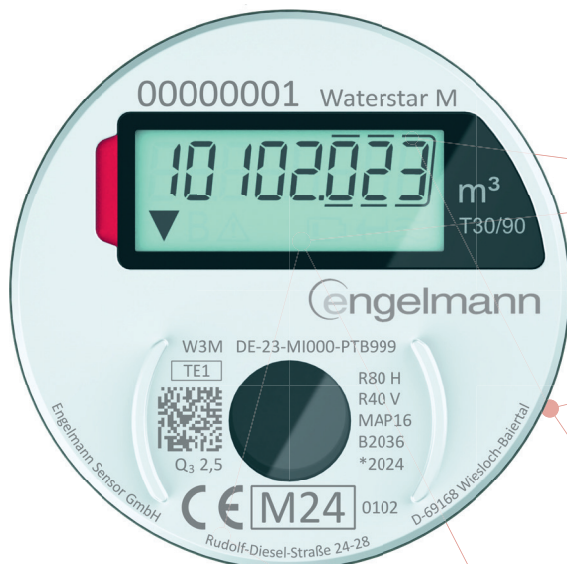


Engelmann **Radio Water Meter**

WaterStar M

The radio-integrated electronic water meter
for all common installation points



Most accurate measurement results for any
installation points

Various installation options

Leakage and manipulation detection for maximum
reliability

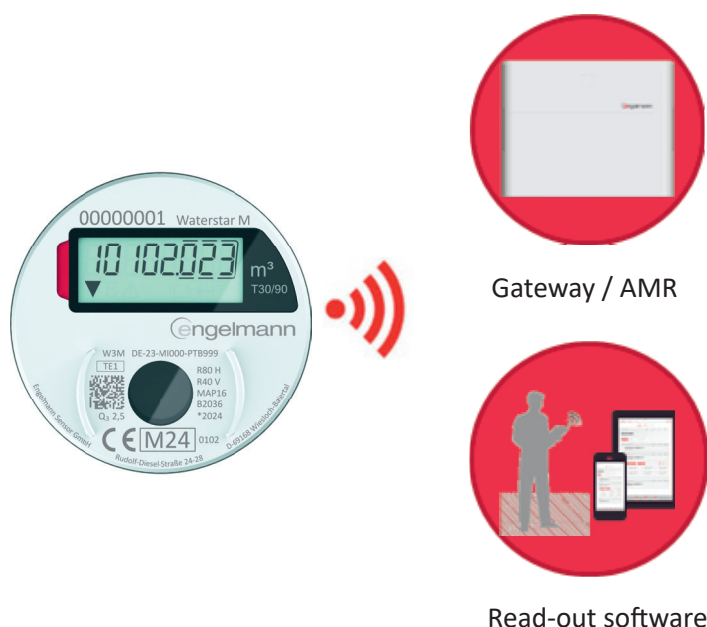
Individually configurable

Flexible adjustment of the radio settings via
software or app

The perfect choice for accurate and reliable measurement and transmission of your water consumption

The radio-integrated water meter is the perfect solution for recording your water consumption. With a wide range of single-jet and multi-jet flow sensors for cold and hot water applications, the meter is suitable for all common installation points and applications.

The integrated wireless M-Bus radio in accordance with the OMS standard enables the secure and reliable transmission of your consumption data at all times. Thanks to the automatic detection and transmission of leakage and manipulation notifications, you can keep an eye on your system at all times and react immediately if needed.



Features

- Available as inline meters and measuring capsule meters in all common variants
- Integrated wireless M-Bus communication interface
- Easily readable LCD display
- Inductive impeller scanning
- 12 years battery life
- Return flow detection
- Leakage and manipulation detection

General data

Measuring method		inductive scanning
Ambient temperature in the fie	°C	5 – 55 at 95 % relative humidity
Temperature range storage and transport	°C	-25 – 70
Display		LCD – 8 digits + special characters; display can be rotated 360°
Unit		m ³
Interfaces		wireless M-Bus; optical interface for configuration and readout
Radio mode		adjustable: C1; T1
Power supply		3 V lithium battery
Estimated lifetime	years	12 (depending on radio settings)
Billing dates		freely selectable annual billing date; 15 monthly values via radio; 15 monthly and semi-monthly values via optical interface
Mechanical class		M1
Electromagnetic class		E1
Environmental class		B
Protection class		IP68

Type-specific data

Inline meters

Type	DN15	DN15	DN15	DN15	DN15	DN20	DN20
Installation length [mm]	80	110	115	115	130	130	130
Q3 [m ³ /h]	2.5	2.5	2.5	2.5	2.5	2.5	4.0
Thread	G3/4"	G3/4"	G3/4"	G3/4" – G7/8"	G3/4"	G1"	G1"
Mounting position				Horizontal Vertical			
Ratio Q3/Q1				R160 H / R80 V			
Temperature range				T30 (0.1 – 30 °C) T30/90 (30 – 90 °C)			
Nominal pressure				MAP16			

Measuring capsule meters

Type (ISO 4064)	IST	MET	MOC/MOE	TE1	A34
Q3 [m ³ /h]	2.5	2.5	2.5	2.5	2.5
Thread	G2"	M64x2	M65x2	M62x2	M77x1.5
Mounting position				Horizontal Vertical	
Ratio Q3/Q1				R80	
Temperature range				T30 (0.1 – 30 °C) T30/90 (30 – 90 °C)	
Nominal pressure				MAP16	

Measuring capsule meters with converter

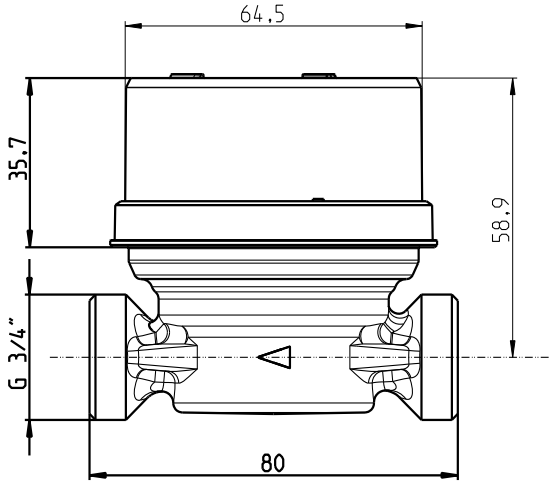
Type (ISO 4064)	MUK	DM1	HT2	MB3	WE1	WGU
Q3 [m ³ /h]	2.5	2.5	2.5	2.5	2.5	2.5
Thread	G2½"	M60x2	M66x1	M76x1.5	M78x1.5	M66x1.25
Mounting position				Horizontal Vertical		
Ratio Q3/Q1				R80		
Temperature range				T30 (0.1 – 30 °C) T30/90 (30 – 90 °C)		
Nominal pressure				MAP16		

TECHNICAL DATA

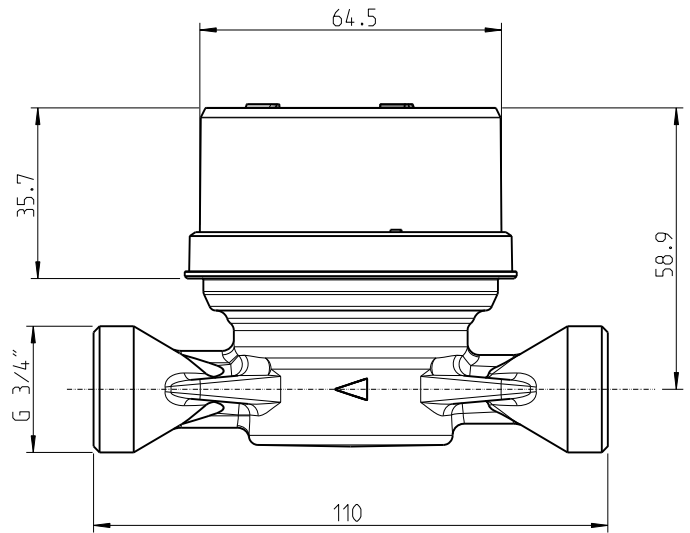
Dimensions

Inline meters

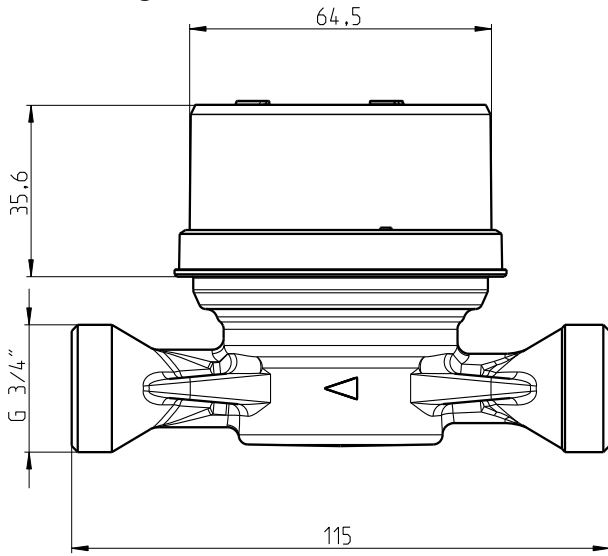
DN15 Length 80 mm



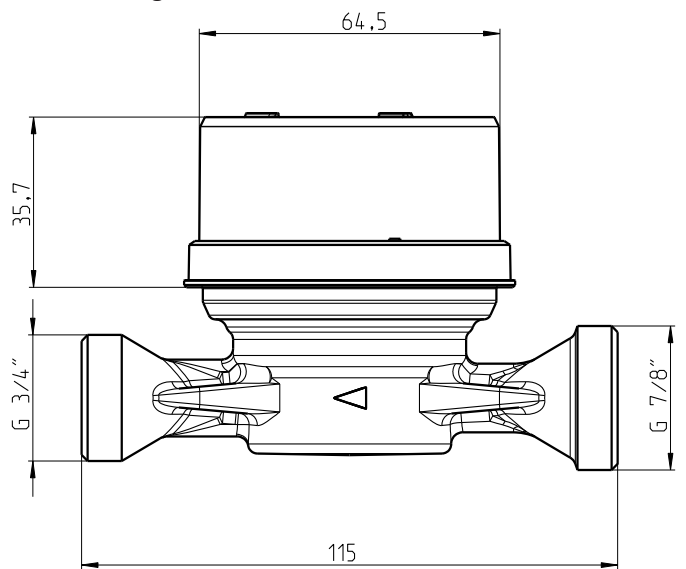
DN15 Length 110 mm



DN15 Length 115 mm



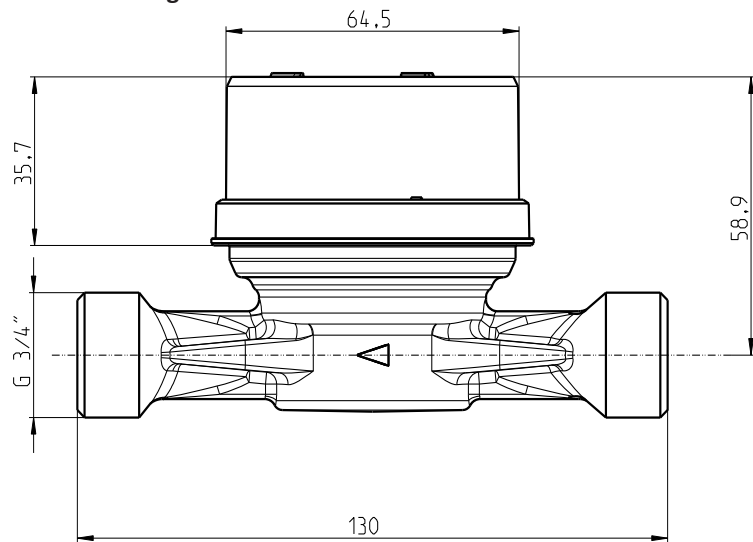
DN15 Length 115 mm



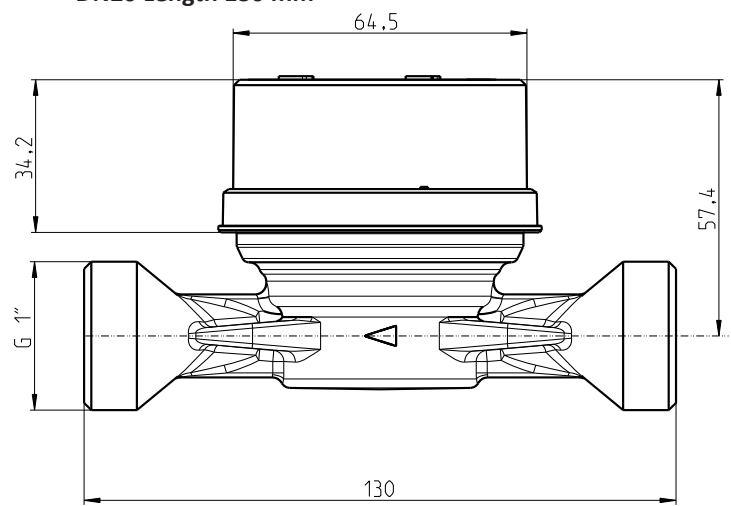
WaterStar M

TECHNICAL DATA

DN15 Length 130 mm



DN20 Length 130 mm



Contact us here:



+49 6222 98 00 188 (Orders)
+49 6222 98 00 2727 (Technical Service)
+49 6222 98 00 0 (Head Office)



info@engelmann.de



Engelmann Sensor GmbH
Rudolf-Diesel-Straße 24-28
69168 Wiesloch-Baiertal
Germany



www.engelmann.de